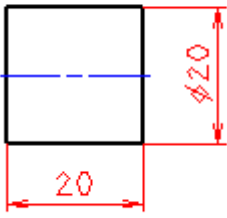
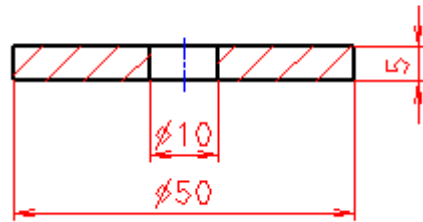


CRANK MECHANISM

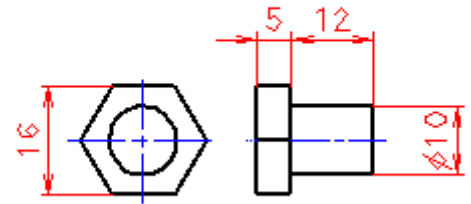
PIN3
CEP3



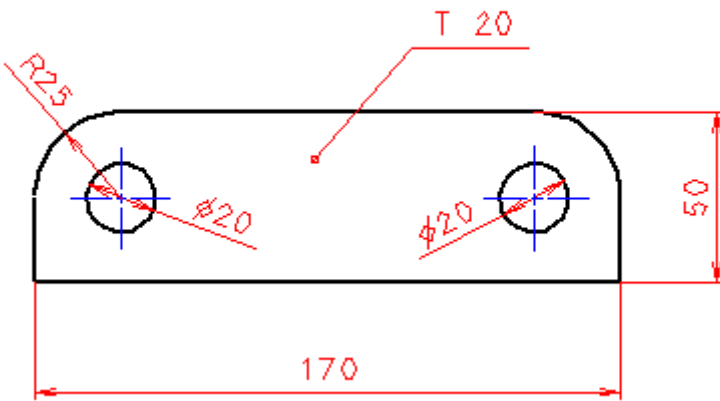
PAD
PODLOZKA



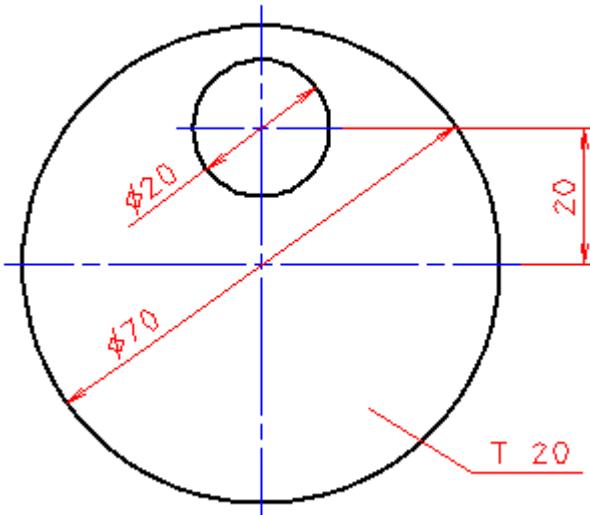
SCREW
SROUB



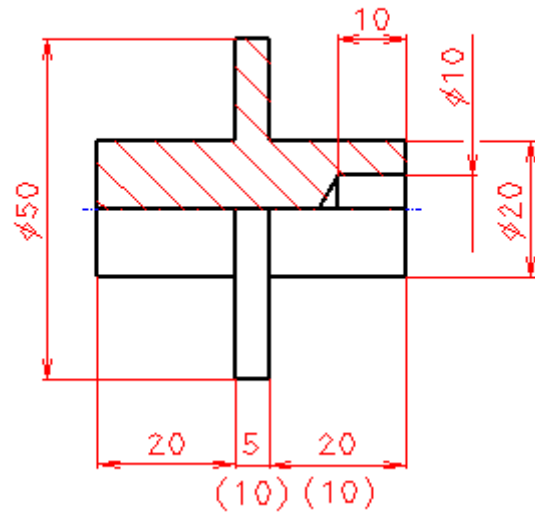
FRAME
RAM



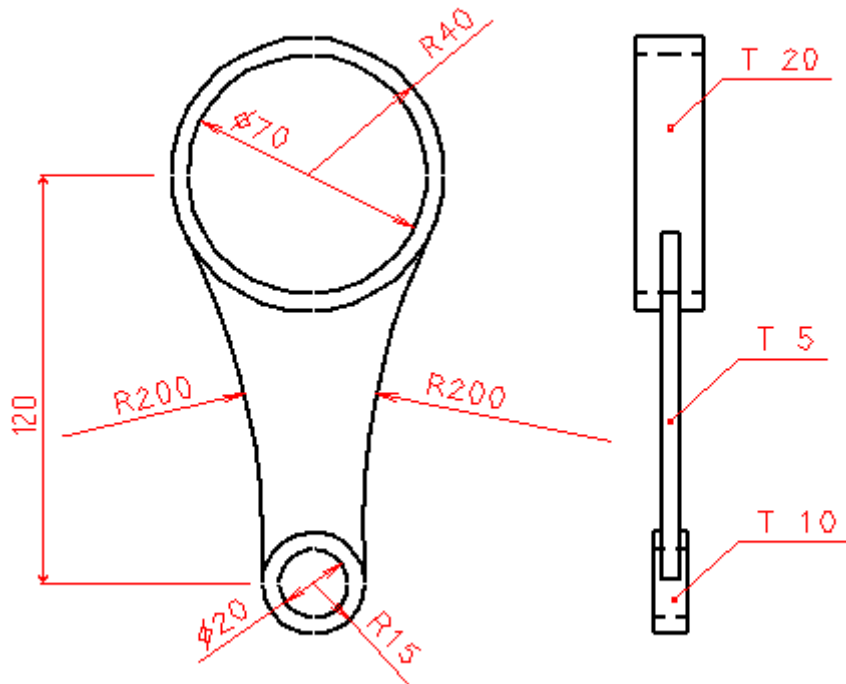
CRANK
KLITKA



PIN and PIN1
CEP, (CEP1)



ROD
OJNICE



LEVER
PAKA

